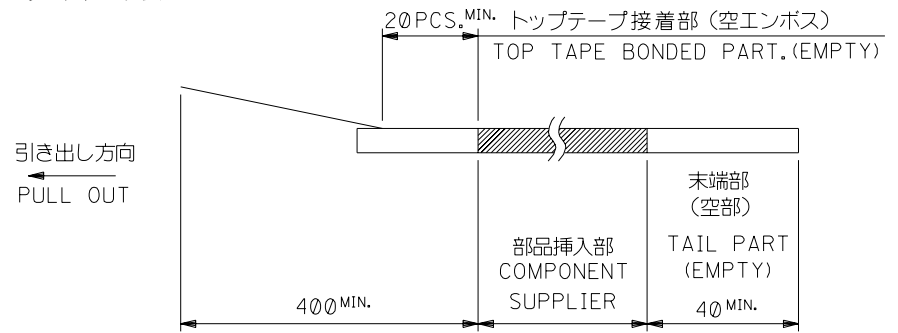


5. 材料
 キャリアテープ:ポリプロピレン (PP)
 トップテープ:PET, PE, PEF
 リール:ポリスチレン (PS) <リサイクル材を含む>
- MATERIAL CARRIER TAPE:POLYPROPYLENE
 TOP TAPE:PET,PE,PEF
 REEL:POLYSTYREN(PS)
 <RECYCLE MATERIAL CONTAINED>
6. 本製品は 52559-**-92の鉛フリー品である。
 THIS PRODUCT IS LEAD FREE OF 52559-**-92

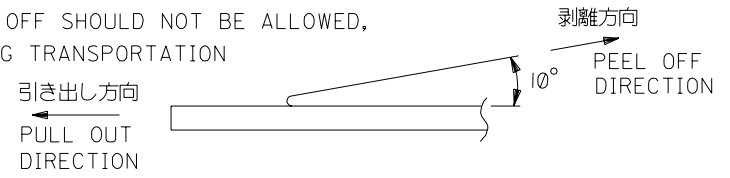
注記 NOTES

- 製品番号 52559-**-19 の梱包状態はアクチュエータがロックした状態とする。
 詳細寸法については図面 SD-52559-027 を参照下さい。
 IN THE PACKAGE,ACTUATOR OF PART NO.52559-**-19 SHOULD BE LOCKED RE DETAILED DIMENSIONS,SEE SD-52559-027
- 梱包数量:1000個/リール
 NUMBER OF CONNECTORS:1000PCS/REEL
- リードテープ長さ LEAD TAPE LENGTH

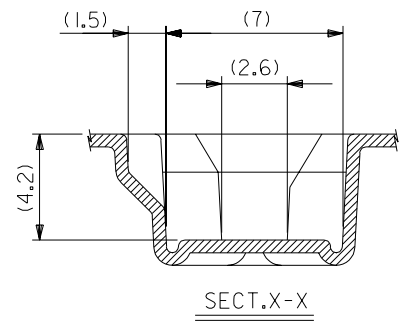
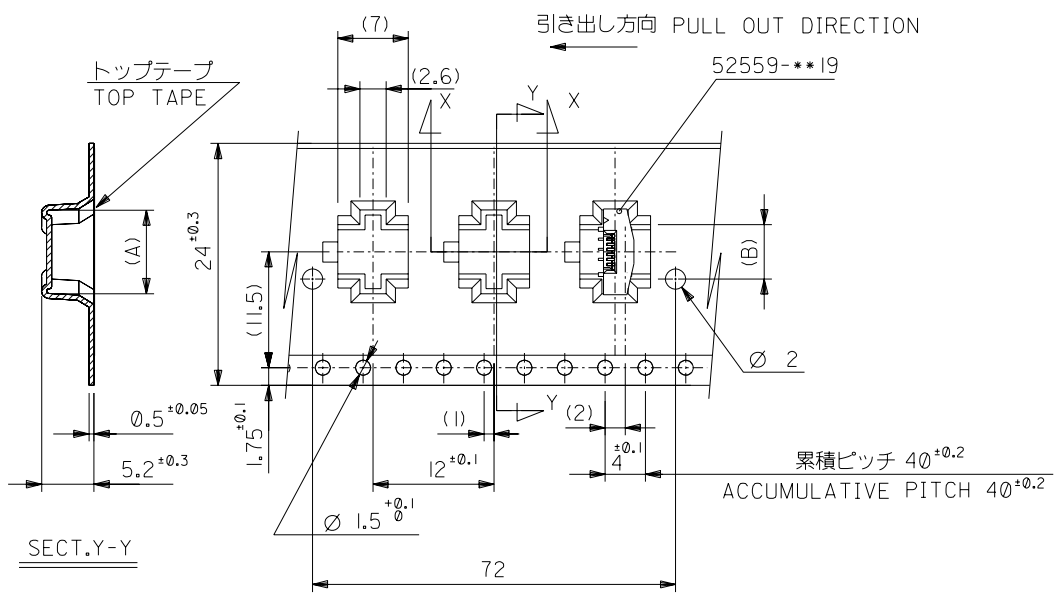


- トップテープの剥離強度:(剥離方向は下図参照)
 0.1~1.3N {10gf~130gf} 尚、本規格値は、出荷時に適用。
 (但し、輸送時に剥離が発生しない事。)

PEELING OFF FORCE OF TOP TAPE
 0.1~1.3N{10gf~130gf}(PEELING DIRECTION AS SHOWN IN FOLLOWING FIG.)
 THIS REQUIREMENT SHOULD BE APPLIED AT SHIPMENT
 PEEL OFF SHOULD NOT BE ALLOWED,
 DURING TRANSPORTATION



164NO. DRWN: CH'K: APPR:	163NO. DRWN: CH'K: APPR:	162NO. DRWN: CH'K: APPR:	REVISED	MATERIAL 材料 注記参照 SEE NOTES	GENERAL TOLERANCES: (UNLESS SPECIFIED) 一般公差		SCALE	DESIGN UNITS	DIMENSIONS: <input type="checkbox"/> mm <input type="checkbox"/> INCH <input checked="" type="checkbox"/> mm ONLY SHT REV 22 OTHERWISE ON CAD ONLY	
			161NO. J2004-2769 DRWN: H.SHIMABUKURO CH'K: K.TOJO APPR: H. Saeb		FINISH 仕上げ	10 UNDER 未満	±0.2	DRAWN BY & DATE H.SHIMABUKURO '04/01/07		TITLE: 0.5 FPC Conn. Assy ZIF. For SMT,Embstp pkg -LEAD FREE-
			160NO. J2004-1818 DRWN: H.SHIMABUKURO CH'K: K.TOJO APPR: H. Saeb		WIRE RANGE 適用層被覆範囲	10 OVER 30 UNDER 以上 未満	±0.25	CHECKED BY & DATE K.TOJO '04/01/07		
			REV 被覆外径		WIRE RANGE 適用層被覆範囲	30 OVER 以上	±0.3	APPROVED BY & DATE H. Saeb '04/01/07		
A 0	INS. RANGE 被覆外径	ANGLE 角度	±3°	CAD FILENAME SD-52559-028.S01	MOLEX INCORPORATED MATERIAL NO. 52559-**-72 DRAWING NO. SD-52559-028 SHEET NO. 1 OF 4					

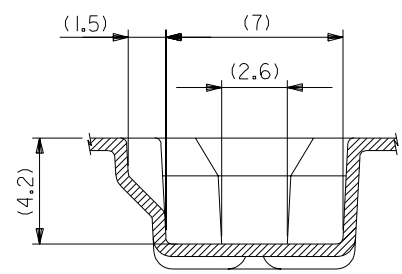
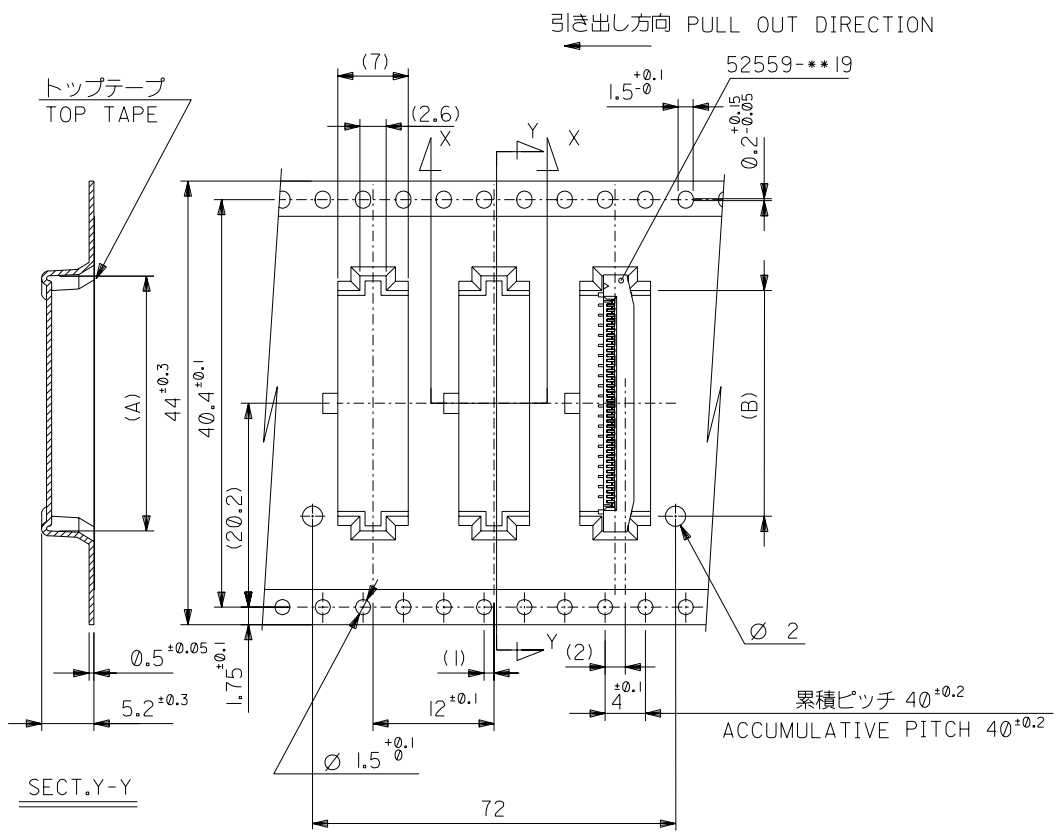


24mm幅キャリアテープ
24mm WIDTH CARRIER TAPE

24	29.4	25.4	14.4	17.3	52559-2472	24	
			13.9	16.8	52559-2372	23	
			12.9	15.8	52559-2172	21	
			12.4	15.3	52559-2072	20	
			10.9	13.8	52559-1772	17	
			10.4	13.3	52559-1672	16	
			9.9	12.8	52559-1572	15	
			9.4	12.3	52559-1472	14	
			8.4	11.3	52559-1272	12	
			7.4	10.3	52559-1072	10	
6.9	9.8	52559-0972	9				
5.4	8.3	52559-0672	6				
キャリアテープ幅 CARRIER TAPE WIDTH			D	C	(B)	MATERIAL NO.	CIRCUIT NO.

DO NOT SCALE DRAWING

64NO. DRAWN: CHK: APPR:	63NO. DRAWN: CHK: APPR:	62NO. DRAWN: CHK: APPR:	REVISED 61NO. J2004-2769 DRAWN: H. SHIMABUKURO CHK: K. TOJO APPR: H. Saito	RELEASED 60NO. J2004-1818 DRAWN: H. SHIMABUKURO CHK: K. TOJO APPR: H. Saito	MATERIAL 材料 注記参照 SEE NOTES	GENERAL TOLERANCES: (UNLESS SPECIFIED) 一般公差 10 UNDER 未満 ±0.2 10 OVER 以上 30 UNDER 未満 ±0.25 30 OVER 以上 ±0.3 ANGLE 角度 ±3°	SCALE DESIGN UNITS <input checked="" type="checkbox"/> mm <input type="checkbox"/> INCH 3RD ANGLE PROJECTION DRAWN BY & DATE H. SHIMABUKURO '04/01/07 CHECKED BY & DATE T. TOJO '04/01/07 APPROVED BY & DATE H. Saito '04/01/07	DIMENSIONS: <input type="checkbox"/> mm <input type="checkbox"/> INCH <input type="checkbox"/> mm ONLY SHT REV 2 OF 4 CAD ONLY	TITLE: 0.5 FPC Conn. Assy ZIF. For SMT.Embstp pkg -LEAD FREE- MOLEX MOLEX INCORPORATED	CAD FILENAME SD-52559-028.S01 MATERIAL NO. 52559-**72 DRAWING NO. SD-52559-028 SHEET NO. 2 OF 4	THIS DRAWING CONTAINS INFORMATION THAT IS PROPRIETARY TO MOLEX INCORPORATED AND SHOULD NOT BE USED WITHOUT WRITTEN PERMISSION. SIZE B
----------------------------------	----------------------------------	----------------------------------	--	---	-------------------------------------	--	--	--	---	--	---



SECT.X-X

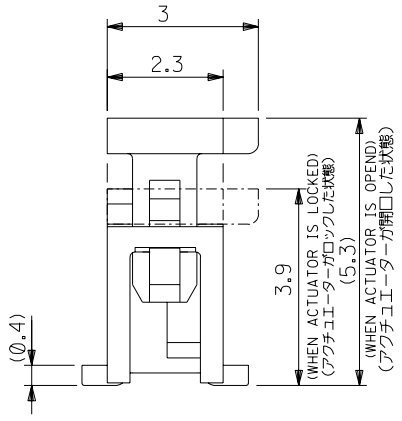
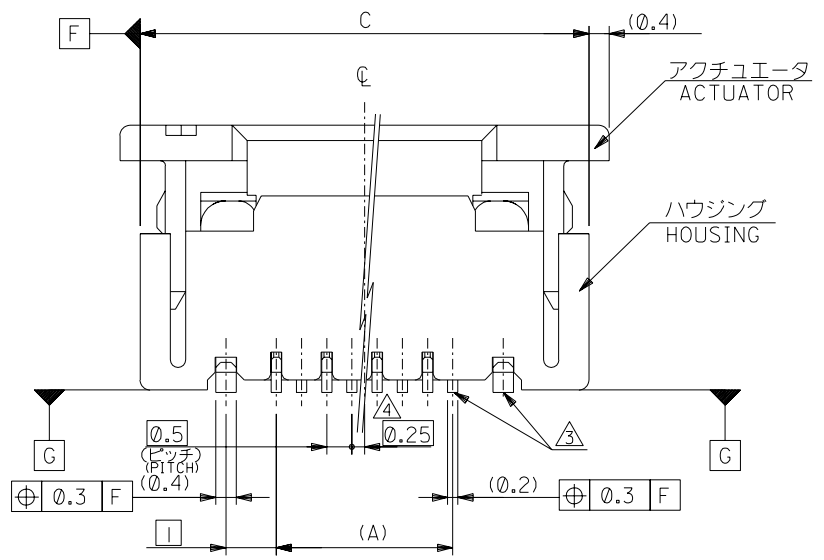
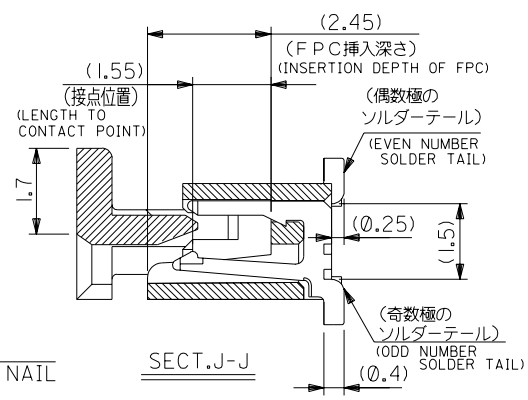
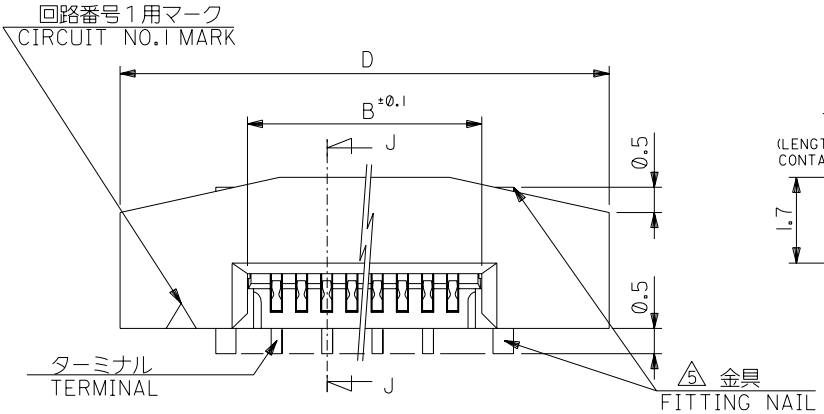
44mm幅キャリアテープ
24mm WIDTH CARRIER TAPE

44	49.4	45.4	22.4	25.3	52559-4072	40
キャリアテープ幅 CARRIER TAPE WIDTH	D	C	20.4	23.3	52559-3672	36
		(B)	(A)		MATERIAL NO.	CIRCUIT NO.

DO NOT SCALE DRAWING

684NO. DRWN: CH'K: APPR:	683NO. DRWN: CH'K: APPR:	682NO. DRWN: CH'K: APPR:	REVISED 681NO. J2004-2769 DRWN: H. SHIMABUKURO CH'K: K. TOJO APPR: H. Saitoh	RELEASED 680NO. J2004-1818 DRWN: H. SHIMABUKURO CH'K: K. TOJO APPR: H. Saitoh	DESCRIPTION MATERIAL 材料 注記参照 SEE NOTES FINISH 仕上げ WIRE RANGE 適用層被範囲 INS. RANGE 被覆外径
A					

GENERAL TOLERANCES: (UNLESS SPECIFIED) 一般公差	SCALE 10 UNDER 未満 ±0.2 10 OVER 30 UNDER 未満 ±0.25 30 OVER 以上 ±0.3	DESIGN UNITS mm INCH 20° 25° 30° 45° 60° 75° 90° 120° 135° 150° 180° 270° 315° 360°	DIMENSIONS: mm INCH DIMENSIONS: mm INCH DIMENSIONS: mm INCH	SHT 22.4 20.4 (A)	REV 40 36 MATERIAL NO. 52559-4072 52559-3672 (A)	TITLE: 0.5 FPC Conn. Assy ZIF. For SMT.Embstp pkg -LEAD FREE-	MOLEX INCORPORATED	CAD FILENAME SD-52559-028.S04	MATERIAL NO. 52559-***72	DRAWING NO. SD-52559-028	SHEET NO. 4 OF 4
THIS DRAWING CONTAINS INFORMATION THAT IS PROPRIETARY TO MOLEX INCORPORATED AND SHOULD NOT BE USED WITHOUT WRITTEN PERMISSION.											



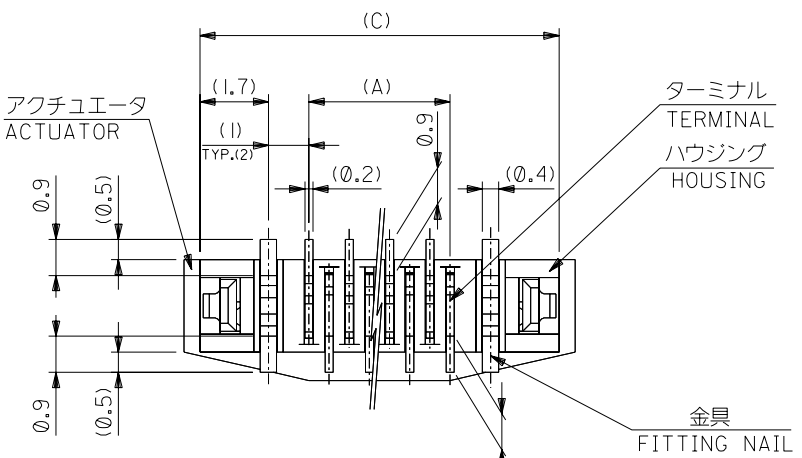
注記 NOTES

- 使用材料 : MATERIAL
 ハウジング :46NYLON UL94V-0
 HOUSING
 アクチュエータ :PPS UL94V-0
 ACTUATOR
 ターミナル :リン青銅 (t=0.2)
 TERMINAL PHOS-BRO
 :錫ビスマスマッキ 1.0マイクロメートル以上
 TIN-BISMUTH 1.0 MICROMETER MINIMUM
 :ニッケル下地 1.0マイクロメートル以上
 NICKEL(UNDER PLATING) 1.0 MICROMETER MINIMUM
 金具 :リン青銅 (t=0.4)
 FITTING NAIL PHOS-BRO
 :錫メッキ 1.0マイクロメートル以上
 TIN 1.0 MICROMETER MINIMUM
 :ニッケル下地 1.0マイクロメートル以上
 NICKEL(UNDER PLATING) 1.0 MICROMETER MINIMUM
- エンボスステップ梱包時は、アクチュエータがロックした状態とする。
 IN THE PACKAGE,ACTUATOR OF PART NO.52559-019 SHOULD BE LOCKED.
 △ソルダータール半田付け面のズレ量、及び金具半田付け面のズレ量は、基準面 G に対し上方向 0.05 MAX. , 下方向 0.15 MAX. とする。
 MISALIGNMENT OF SOLDER TAILS AND FITTING NAILS FROM UPPER DIRECTION: 0.05 MAX. , LOWER DIRECTION: 0.15 MAX.
 △偶数種に適用。
 APPLY FOR EVEN CIRCUIT.
 △パターンはくり止め用金具。
 FITTING NAIL FOR PREVENTION OF PEELING OF P.C.B. PATTERN.
 △R0.3は、FPCの導体部にかからないこと。
 R0.3 MUST NOT BE OVERLAPPED TO PATTERN OF FPC.
- 本製品は 52559-019 の鉛フリー品である。
 THIS PRODUCT IS LEAD FREE OF 52559-019

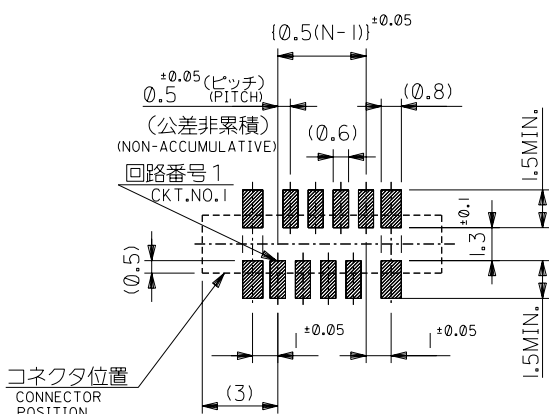
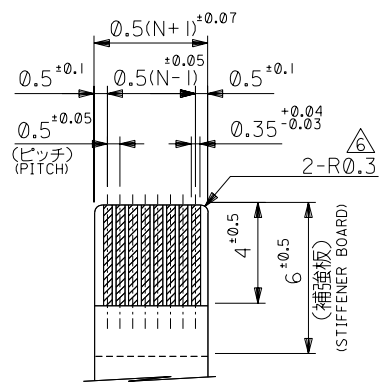
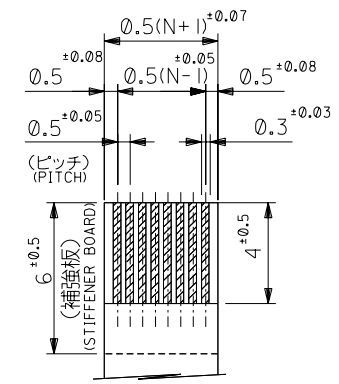
DO NOT SCALE DRAWING

① 64NO. DRWN: CH'K: APPR: ② 63NO. DRWN: CH'K: APPR: ③ 62NO. DRWN: CH'K: APPR:		REVISED ④ 61NO. J2004-3551 DRWN: H. KAWABATA 04/04/05 CH'K: K. TOJO 04/04/05 APPR: H. Saito 04/04/05 RELEASED ⑤ 60NO. J2004-1818 DRWN: H. SHIMABUKURO 04/01/07 CH'K: K. TOJO 04/01/07 APPR: H. Saito 04/01/07		MATERIAL 材料 注記参照 SEE NOTES		GENERAL TOLERANCES: (UNLESS SPECIFIED) 一般公差 ⑥ 10 UNDER 未満 ±0.2 ⑦ 10 OVER 以上 30 UNDER 未満 ±0.25 ⑧ 30 OVER 以上 ±0.3		SCALE 縮尺 DESIGN UNITS 設計単位 ⑨ 20° 2ND ANGLE PROJECTION ⑩ mm INCH ⑪ mm ONLY ⑫ INCH ⑬ mm ONLY		MODEL NO. 52559-019 DIMENSIONS: 寸法 SHT 1 OF 2 REV 1 ⑭ INCH ⑮ mm ONLY ⑯ mm ONLY ⑰ INCH ⑱ mm ONLY		TITLE: 0.5 FPC Conn. Assy ZIF. -LEAD FREE- MOLEX MOLEX INCORPORATED		CAD FILENAME SD-52559-045.S01 MATERIAL NO. SEE CHART DRAWING NO. SD-52559-045 SHEET NO. 1 OF 2	
WIRE RANGE 適用線径範囲 ⑳ ① ②		FINISH 仕上げ ㉑ ㉒		DESCRIPTION 説明 ㉓ ㉔		ANGLE 角度 ㉕ ㉖		CAD FILENAME SD-52559-045.S01 MATERIAL NO. SEE CHART DRAWING NO. SD-52559-045 SHEET NO. 1 OF 2		MOLEX MOLEX INCORPORATED		CAD FILENAME SD-52559-045.S01 MATERIAL NO. SEE CHART DRAWING NO. SD-52559-045 SHEET NO. 1 OF 2			
INS. RANGE 被覆外径 ㉗ ㉘		WIRE RANGE 適用線径範囲 ㉙ ㉚		FINISH 仕上げ ㉛ ㉜		ANGLE 角度 ㉝ ㉞		CAD FILENAME SD-52559-045.S01 MATERIAL NO. SEE CHART DRAWING NO. SD-52559-045 SHEET NO. 1 OF 2		MOLEX MOLEX INCORPORATED		CAD FILENAME SD-52559-045.S01 MATERIAL NO. SEE CHART DRAWING NO. SD-52559-045 SHEET NO. 1 OF 2			

DWG. NO. SD-52559-045



下面図
BOTTOM VIEW



参考基板レイアウト
(マウント面)
RECOMMENDED P.C. BOARD
PATTERN DIMENSION (REF.)
(MOUNTING SIDE)

適合FPC推奨寸法
APPLICABLE FPC
RECOMMENDED DIMENSION.
(仕上がり厚さ: 0.3 ±0.05)
(THICKNESS: 0.3 ±0.05)

適合FPC推奨寸法
APPLICABLE FPC
RECOMMENDED DIMENSION.
(仕上がり厚さ: 0.3 ±0.05)
(THICKNESS: 0.3 ±0.05)

FPCについて:
打抜き方向は導体側から補強板側を推奨致します。
補強フィルム材質はポリイミドを推奨致します。
接着剤は熱硬化接着剤を推奨致します。

ABOUT FPC:
RECOMMENDED PUNCHER DIRECTION: FROM CONDUCTOR SIDE TO STIFFENER BOARD SIDE.
RECOMMENDED MATERIAL:
STIFFENER FILM: POLYIMIDE
BONDING AGENT: THERMOSETTING BONDING AGENT

25.7	24.9	20.65	19.5	52559-4019	40
23.7	22.9	18.65	17.5	-3619	36
22.2	21.4	17.15	16.0	-3319	33
21.7	20.9	16.65	15.5	-3219	32
21.2	20.4	16.15	15.0	-3119	31
20.7	19.9	15.65	14.5	-3019	30
20.2	19.4	15.15	14.0	-2919	29
19.7	18.9	14.65	13.5	-2819	28
19.2	18.4	14.15	13.0	-2719	27
18.7	17.9	13.65	12.5	-2619	26
18.2	17.4	13.15	12.0	-2519	25
17.7	16.9	12.65	11.5	-2419	24
17.2	16.4	12.15	11.0	-2319	23
16.7	15.9	11.65	10.5	-2219	22
16.2	15.4	11.15	10.0	-2119	21
15.7	14.9	10.65	9.5	-2019	20
15.2	14.4	10.15	9.0	-1919	19
14.7	13.9	9.65	8.5	-1819	18
14.2	13.4	9.15	8.0	-1719	17
13.7	12.9	8.65	7.5	-1619	16
13.2	12.4	8.15	7.0	-1519	15
12.7	11.9	7.65	6.5	-1419	14
12.2	11.4	7.15	6.0	-1319	13
11.7	10.9	6.65	5.5	-1219	12
11.2	10.4	6.15	5.0	-1119	11
10.7	9.9	5.65	4.5	-1019	10
10.2	9.4	5.15	4.0	-0919	9
9.7	8.9	4.65	3.5	-0819	8
8.7	7.9	3.65	2.5	52559-0619	6
D	C	B	(A)	MATERIAL NO.	極数

DO NOT SCALE DRAWING

図番 NO. DRAWN: CHYK CHK: APPR:	図番 NO. DRAWN: CHYK CHK: APPR:	図番 NO. DRAWN: CHYK CHK: APPR:	REVISED 図番 NO. J2004-3551 DRAWN: H.KAWABATA '04/04/05 CHYK: K.TOJO '04/04/05 APPR: H. Saito '04/04/05 RELEASED 図番 NO. J2004-1818 DRAWN: H.SHIMABUKURO '04/01/07 CHYK: K.TOJO '04/01/07 APPR: H. Saito '04/01/07	MATERIAL 材料 注記参照 SEE NOTES FINISH 仕上げ 適用 適用 WIRE RANGE 適用 適用 適用 INS. RANGE 被覆 被覆
-------------------------------------	-------------------------------------	-------------------------------------	--	--

MODEL NO. 52559-***19 DIMENSIONS: <input type="checkbox"/> mm <input type="checkbox"/> INCH <input checked="" type="checkbox"/> mm ONLY SHT REV REVISION ON CAD ONLY	GENERAL TOLERANCES: (UNLESS SPECIFIED) 一般公差 10 UNDER 未滿 ±0.2 10 OVER 以上 30 UNDER 未滿 ±0.25 30 OVER 以上 ±0.3 ANGLE 角度 ±3°	SCALE # DESIGN UNITS <input checked="" type="checkbox"/> mm <input type="checkbox"/> INCH PROJECTION DRAWN BY & DATE H.SHIMABUKURO '04/01/07 CHECKED BY & DATE K.TOJO '04/01/07 APPROVED BY & DATE H. Saito '04/01/07	TITLE: 0.5 FPC Conn. Assy ZIF. -LEAD FREE- MOLEX MOLEX INCORPORATED	CAD FILENAME SD-52559-045.S02 MATERIAL NO. SEE CHART DRAWING NO. SD-52559-045 SHEET NO. 2 OF 2
---	--	---	--	--

THIS DRAWING CONTAINS INFORMATION THAT IS PROPRIETARY TO MOLEX INCORPORATED AND SHOULD NOT BE USED WITHOUT WRITTEN PERMISSION. SIZE B

SD-52559-045.S02